



ALUMA-FORM®

Dead End Clamps

BOLTED, STRAIGHT LINE CLAMP - ALUMINUM

Heavy Duty Side Opening Style

Material(s):

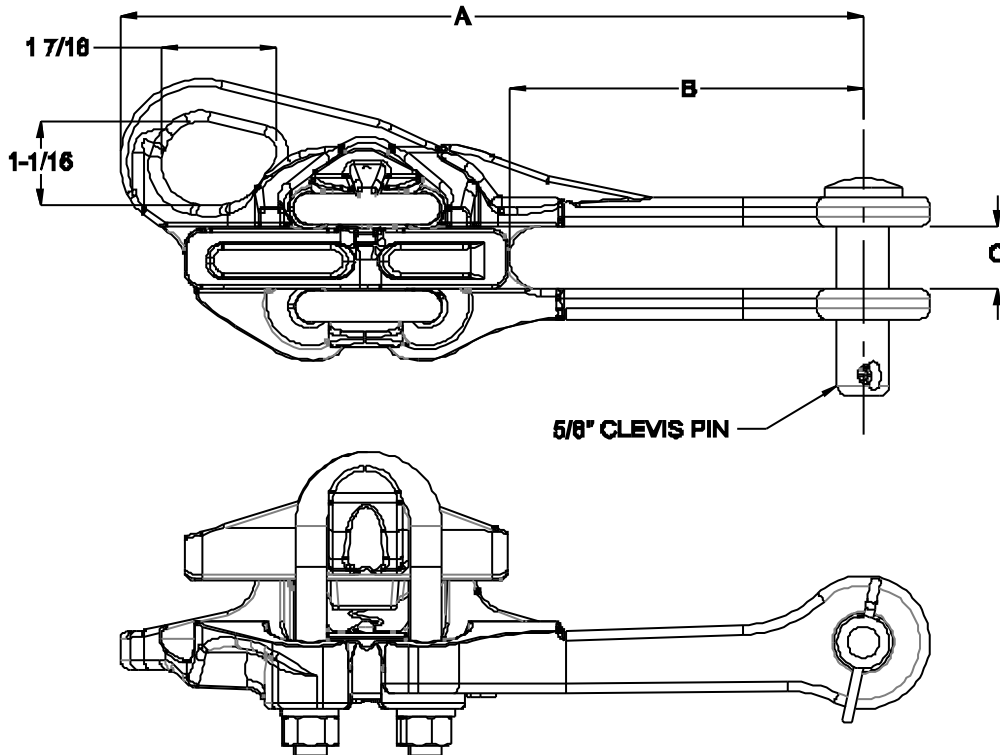
Body: 356-T6 Aluminum

Keeper: 356-T6 Aluminum

Hardware: U-Bolts, Washer, & Hex Nut - galvanized steel

5/8" Clevis Pin: Galvanized Steel

Cotter Pin: Stainless Steel



Catalog Name	Conductor Range			Ultimate Strength		Dimensions			Weight
	Inches	ACSR	Aluminum	Body (lbs)	Eye (lbs)	"A"	"B"	"C"	
DES-HDSO-47	.190-.470	8 - 2/0	4 - 3/0	7000	4000	8.5	4.25	0.75	1.57
DES-HDSO-47-TP	.190-.470	8 - 2/0	4 - 3/0	7000	4000	8.5	4.25	0.75	1.57
DES-HDSO-57	.250-570	4 - 4/0	2 - 4/0	8000	5000	8.88	4.25	0.75	1.78
DES-HDSO-57-TP	.250-570	4 - 4/0	2 - 4/0	8000	5000	8.88	4.25	0.75	1.78
DES-HDSO-82	.250-.820	2-477	1-477	9000	6000	10.5	4.88	0.88	3.08
DES-HDSO-88	.250-.880	4-556.5	2-556.5	10000	6000	10.938	4.84	1	3.35
DES-HDSO-88L-6	.250-.879	4-556.5	2-556.5	10000	6000	10.75	6	1	3.35
DES-HDSO-116	.250-.879	336.4-954	397.5-1000	12000	8000	14.437	7	1.256	3.82

--TP is for Tin Plated